



GAZZDA

# Fawn Coffee & Side Tables

Product sheet

design by  
**Salih Teskeredžić**



# Fawn Coffee & Side Tables

## Product facts

### Materials

---

Body	Solid oak
Finish	Hardwax oil
Plate	Tempered glass
Dividers	Elastic cotton rope

### Technical features

---

#### Frame

Fawn's light frame is fully made out of solid wood - oak. The front and back frame sides are connected with a white elastic cotton rope which serves as a horizontal divider. Tables have an additional steel rod stiffener in the middle wrapped in the cotton rope.

#### Plate

Available as tempered (toughened) glass in two colour options as Petrol and Grey colour.

#### Finish

Wooden parts are available in two plant-based Hardwax oil finishes (colours), which retain the wood's natural state, as a white or natural oil.

#### Cleaning

Please see [Product](#) or [Material](#) page on our website.

### Notes to consider

---

#### Variations

Natural variations in wood colour and surface may occur. Regular maintenance will ensure the wood preserves its authentic beauty and can last for generations.

#### Product changes

Please note that Gazzda reserves the right to alter construction and design without notice.

#### Dimensions (tolerances)

The dimensions shown are indicative, they may vary due to the natural properties of wood, season, or manufacturing processes. Deviations from the specified size may occur, usually no more than 1 cm.

For all additional inquiries regarding Fawn Coffee & Side Tables please feel free to [contact us](#).

# Fawn Coffee Table 90 x 90

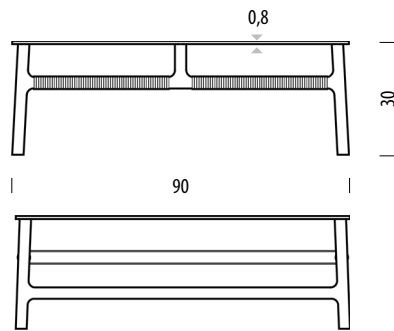
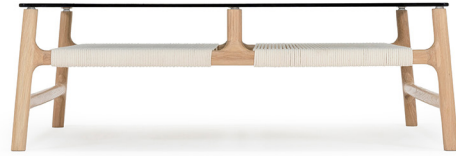
Base Solid oak, Dividers Cotton rope, Plate Glass



Version: 1-1-2023

## Basic info

<b>Design</b>	Salih Teskeredžić
<b>Product size</b>	W: 90, D: 90, H: 30
<b>Packaging</b>	W: 92,5, D: 92,5, H: 32,5
<b>Volume</b>	0,28 m <sup>3</sup>
<b>Net weight</b>	19,5 kg
<b>Gross weight</b>	23 kg



Item no. 08A

Assembled product

Plate	Thickness (cm)
	0,8

# Fawn Coffee Table 120 x 60

Base Solid oak, Dividers Cotton rope, Plate Glass



Version: 1-1-2023

## Basic info

**Design** Salih Teskeredžić

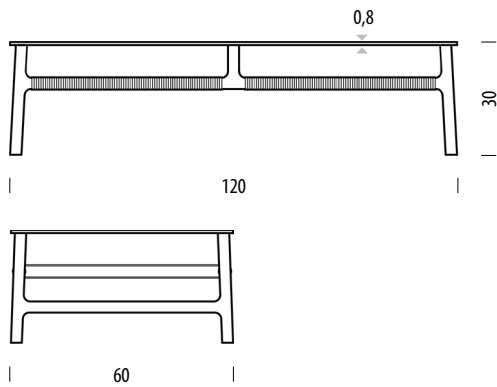
**Product size** W: 120, D: 60, H: 30

**Packaging** W: 123, D: 63, H: 35

**Volume** 0,27 m<sup>3</sup>

**Net weight** 17,8 kg

**Gross weight** 22 kg



Item no. 08B

Assembled product

Plate	Thickness (cm)
	0,8

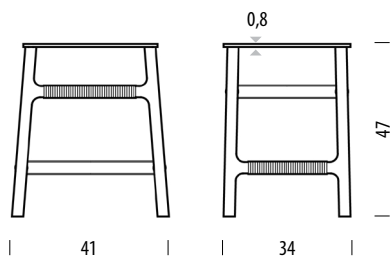
# Fawn Side Table

Base Solid oak, Dividers Cotton rope, Plate Glass

Version: 1-1-2023

## Basic info

<b>Design</b>	Salih Teskeredžić
<b>Product size</b>	W: 41, D: 34, H: 47
<b>Packaging</b>	W: 41,5, D: 38, H: 50
<b>Volume</b>	0,08 m <sup>3</sup>
<b>Net weight</b>	4,1 kg
<b>Gross weight</b>	5,5 kg



Item no. 08C

Assembled product

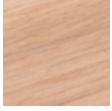
Plate	Thickness (cm)
	0,8

# Fawn Coffee & Side Tables

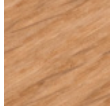
Available materials

**Body** | Solid oak

---



Oiled  
1015  
White oil



Oiled  
1505  
Natural oil