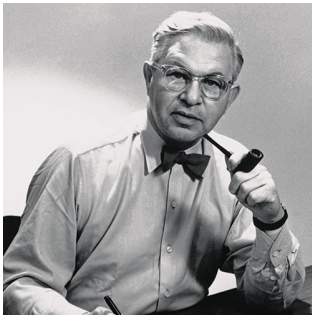


AJ 50 Wall

AJ 50 Wall - 5743145803

The fixture emits downward directed light. The shade is painted white on the inside to ensure a soft comfortable light distribution.



Arne Jacobsen

Arne Jacobsen was born and raised in Copenhagen. In 1927, he graduated as an architect from the Royal Danish Academy of Fine Arts in Copenhagen. After graduating, he obtained his first job at the office of the City Architect of Copenhagen launching his own office only two years later.



Cocks & Cows



Skagen

Product info

Information

For LED replacement kit please do contact Louis Poulsen. The innovation of the LED technology is constant. The specifications mentioned are based on present technology. Compatible with leading edge mains dimmers. Please note that low power consumption on some products can affect dimming properties.

Mounting

Terminal block: 1x3x2.5mm². Cable entries: 2x bottom + 3x rear entries for Ø 10-14.5mm cable. Looping: Approved, max. 3x1,5mm².

Finish

White, black or aluminium coloured with textured surface, powder coated.

Materials

Shade: Die cast aluminium. Wall box: Die cast aluminium. Arm: Die cast aluminium.

Sizes and weights

Width x Height x Length (mm) | 349 x 248 x 160 Max 2.0 kg

Class

Ingress protection IP65. Electric shock protection I w. ground. IK06.

Specification notes

1. AJ 50 Wall has a LED light source that can be connected directly to the main power supply. 2. All LED efficiency information are measured as system power.

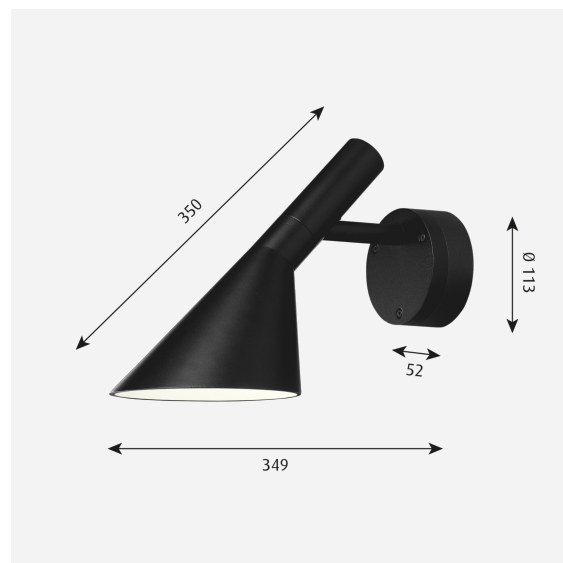
Light source

LED 3000K 7.6W

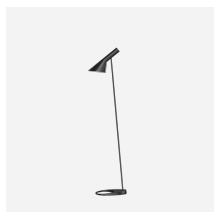
Lumen: 428

Information

For LED replacement kit please do contact Louis Poulsen. The innovation of the LED technology is constant. The specifications mentioned are based on present technology. Compatible with leading edge mains dimmers. Please note that low power consumption on some products can affect dimming properties.



Product family



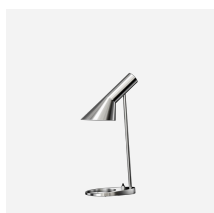
AJ Floor



AJ Table



AJ Wall



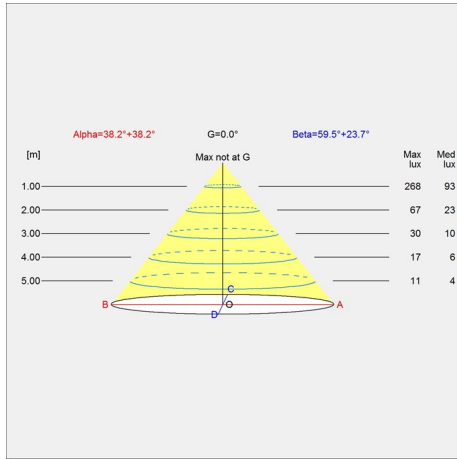
AJ Mini Table



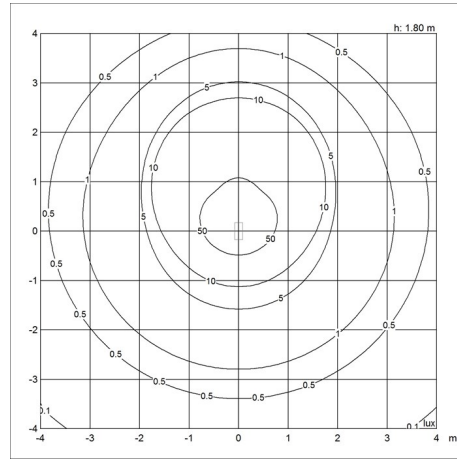
AJ Royal

Light distribution diagrams

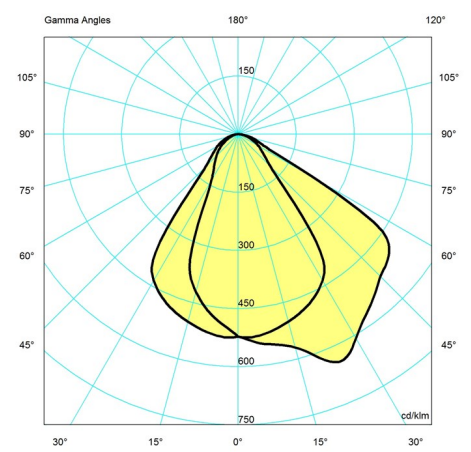
Cartesian



Isolux



Polar



Data specifications

Colour	Black texture	Length	160
Width	349	Height	248
IP class	65	IK class	06
Class	I	Net Weight	1.9
Wind Load (m2)	-	Standby (W)	-
Power Factor (P = 100 % / P = 50 %)	0.99 / -	Inrush Current	-
Light source	LED 3000K 7.6W	Kelvin	3000
CRI	90	SDCM	3
Lumen	428	Watt	7.6
Efficacy	56	Light control	-
Min. Dim Level (%)	-	Surge Protection	-
BUG Rating	B0 U0 G0	L80B50 (hours)	>50.000
Driver life	-		

