

PH Snowball

PH Snowball - 5741081888

The fixture emits comfortable glare-free diffused light. Matt painted undersurfaces and glossy top surfaces result in an attractive reflection of the diffused light, creating uniform light distribution around the fixture.

When the light is switched on, the top portion is illuminated while the bottom part remains dark.



Poul Henningsen

Poul Henningsen was born in Copenhagen by the famous Danish writer Agnes Henningsen. He never graduated as an architect, but studied at The Technical School at Frederiksberg, Denmark from 1911-14, and then at Technical College in Copenhagen from 1914-17.



Product info

Mounting

Suspension type E27: Cable 3x0,75mm². Canopy: Yes. Cable length: 3m. Suspension type LED: Cable 2x1,5mm². Canopy: Yes. LED canopy contains driver. Cable length: 4m.

Finish

White, wet painted.

Materials

Shades: Spun aluminium. Frame: High lustre chrome plated, die cast aluminium. Housing: High lustre chrome plated, spun aluminium.

Sizes and weights

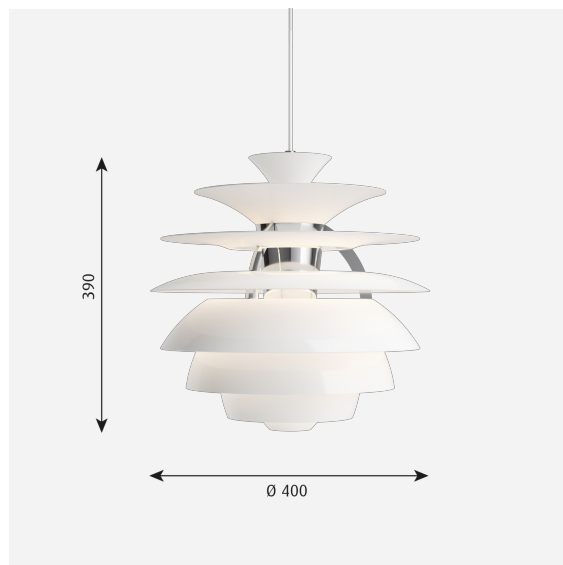
Width x Height x Length (mm) | 400 x 390 x 400 Max 4.5 kg

Class

Ingress protection IP20. Electric shock protection I w. ground.

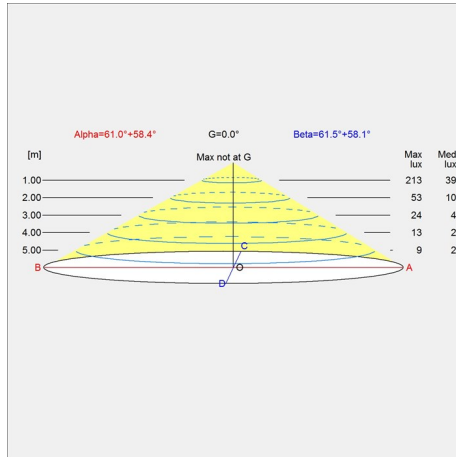
Light source

1x70W E27

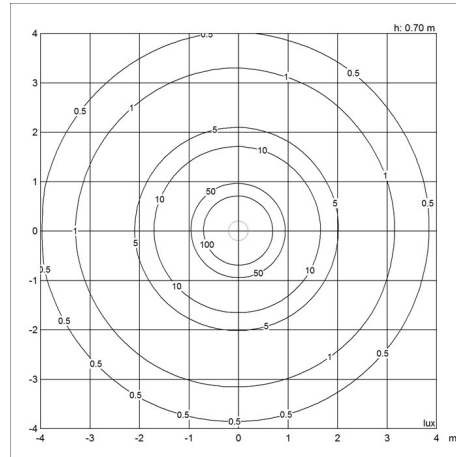


Light distribution diagrams

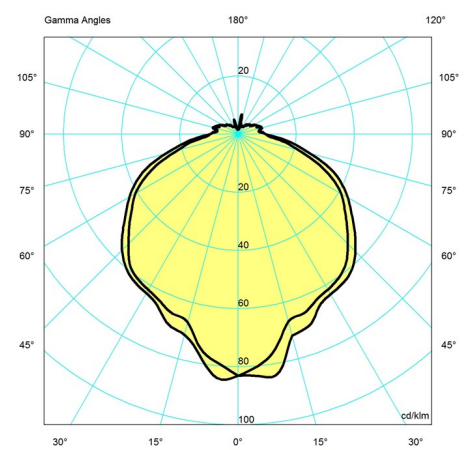
Cartesian



Isolux



Polar



Spare parts & accessories

Product

PH Snowball bottomshade complete
 Canopy White 2-part tophat ©

Variant number

5741086456
 5749329034

Data specifications

Colour	White	Length	400
Width	400	Height	390
Built-in Height	-	IP class	20
Class	I	Net Weight	3.3
Standby (W)	-	Power Factor (P = 100 % / P = 50 %)	-
Inrush Current	-	Light source	1x70W E27
Kelvin	-	CRI	-
SDCM	-	Lumen	-

PH Snowball

Watt	-
Light control	-
UGR Transversal / Axial	14.2/14.2
Driver life	-

Efficacy	-
Min. Dim Level (%)	-
L80B50 (hours)	-