

# PH 2/1 Pendant

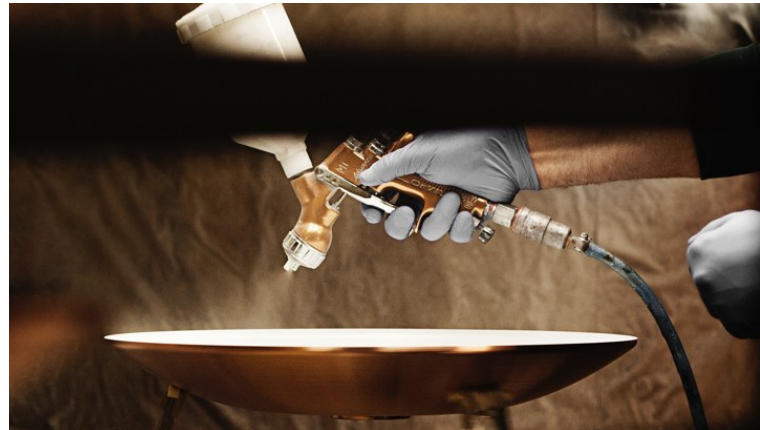
PH 2/1 Pendant - 5741099252

The fixture is designed based on the principle of a reflective three-shade system, which directs the majority of the light downwards. The shades are made of mouth-blown opal three-layer glass, which is glossy on top and sandblasted matt on the underside, giving a soft and uniform light distribution.



## Poul Henningsen

Poul Henningsen was born in Copenhagen by the famous Danish writer Agnes Henningsen. He never graduated as an architect, but studied at The Technical School at Frederiksberg, Denmark from 1911-14, and then at Technical College in Copenhagen from 1914-17.



## Product info

### Mounting

Suspension type: Cable 2x0,75mm<sup>2</sup>. Canopy: Yes. Cable length: 3m.

### Finish

Brass metallised, black metallised or high lustre chrome plated. White opal glass.

### Materials

Shades: Mouth-blown white opal glass. Suspension: Brass metallised, black metallised or high lustre chrome plated, spun aluminium.

### Sizes and weights

Width x Height x Length (mm) | 200 x 140 x 200 Max 0.7 kg

### Class

Ingress protection IP20. Electric shock protection II w/o ground.

### Specification notes

The innovation of light sources is ongoing. Consequently we only inform about the max. wattages. On [www.louispoulsen.com](http://www.louispoulsen.com) we update a list of recommendable light sources.

### Light source

1x20W E14



## Product family



PH 2/1 Stem Fitting



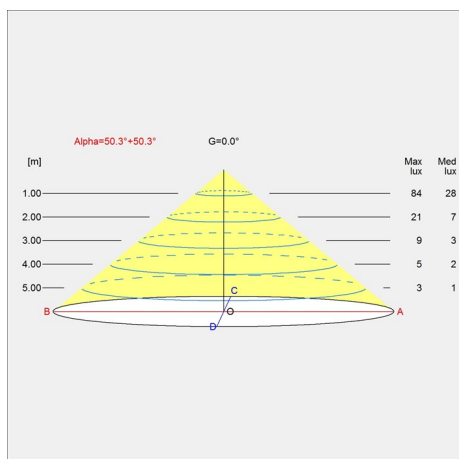
PH 2/1 Table



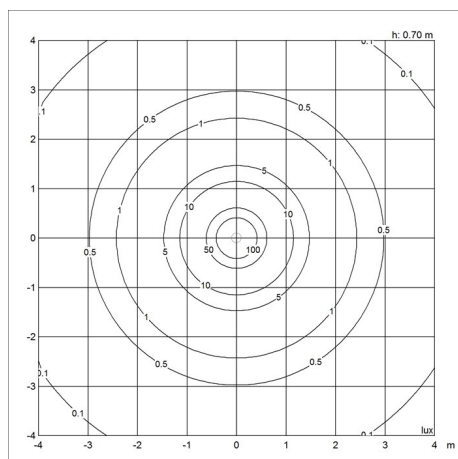
PH 2/1 Wall

# Light distribution diagrams

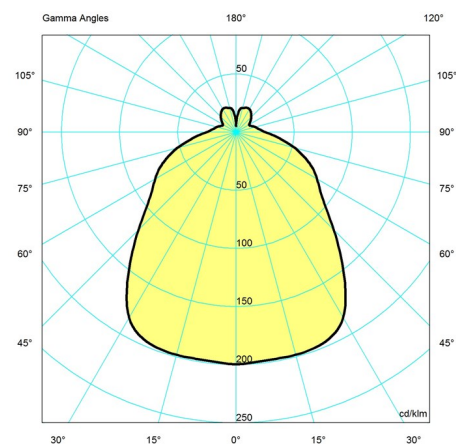
## Cartesian



## Isolux



## Polar



## Spare parts & accessories

Product	Variant number
PH 2-1, top shade glass Pendant	5741084898
Canopy White 2-part tophat @	5749329034
PH 2-1, middle shade glass	5741084940
PH 2-1, lower shade glass	5741084953
PH 2-1, springholder w/springs	5741086333
Canopy Black 2-part tophat@	5749329021

## Data specifications

Colour	<b>Black metallised</b>	Length	<b>200</b>
Width	<b>200</b>	Height	<b>140</b>
Built-in Height	-	IP class	<b>20</b>
Class	<b>II</b>	Net Weight	<b>0.7</b>
Standby (W)	-	Power Factor (P = 100 % / P = 50 %)	-
Inrush Current	-	Light source	<b>1x20W E14</b>

**PH 2/1 Pendant**

Kelvin	-
SDCM	-
Watt	-
Light control	-
UGR Transversal / Axial	<b>16.9/16.9</b>
Driver life	-

CRI	-
Lumen	-
Efficacy	-
Min. Dim Level (%)	-
L80B50 (hours)	-