

# VL45 Radiohus Pendant

VL45 Radiohus Pendant - 5741098198

The fixture provides uniform, general and diffused illumination. The opening at the bottom of the glass produces downwards directed light. The quality of the glass ensures that the fixture is evenly lit.



## Vilhelm Lauritzen

Vilhelm Lauritzen (1894–1984) is one of the most significant architects in the history of Denmark; he was the trail-blazing figurehead of Danish functionalism. A number of his buildings – Nørrebro Theatre (1931–32), Daells Varehus department store (1928–35), Radiohuset (1936–41) and the first airport built in Kastrup (1937–39) – represented the concentrated essence of contemporary life.



## Carl Hansen & Son Showroom



## Aalborg Universitet

## Product info

### Environmental Product Specification

This product is compliant with the requirements contained in the European Directives, RoHS Directive 2011/65 and 2015/863. This product is designed so that 100% of the product can be disassembled and reused.

### Information

Please note that the brass surfaces are untreated. This means that the surface will change over time and develop a patina.

### Mounting

Cable Ø 175/Ø 250: 3x0,75mm<sup>2</sup>. Ø 370 (E27): 3x1mm<sup>2</sup>. Ø 370 (LED): 2x0,75mm<sup>2</sup> & Wire. Canopy: Yes. LED canopy contains driver. Cable length: E27: 4.4m. LED: 4m.

### Finish

Glossy white opal glass. Brushed brass, untreated.

### Materials

Shade: Mouth-blown polished white opal glass. Pendant fitting: Untreated brushed brass, will patinate.

### Sizes and weights

Width x Height x Length (mm) | 250 x 328 x 250 Max 2.0 kg | 370 x 448 x 370 Max 5.2 kg | 175 x 246 x 175 Max 1.3 kg

### Class

Ingress protection IP20. Electric shock protection I w. Ground.

### Light source

1x100W E27

### Information

Please note that the brass surfaces are untreated. This means that the surface will change over time and develop a patina.

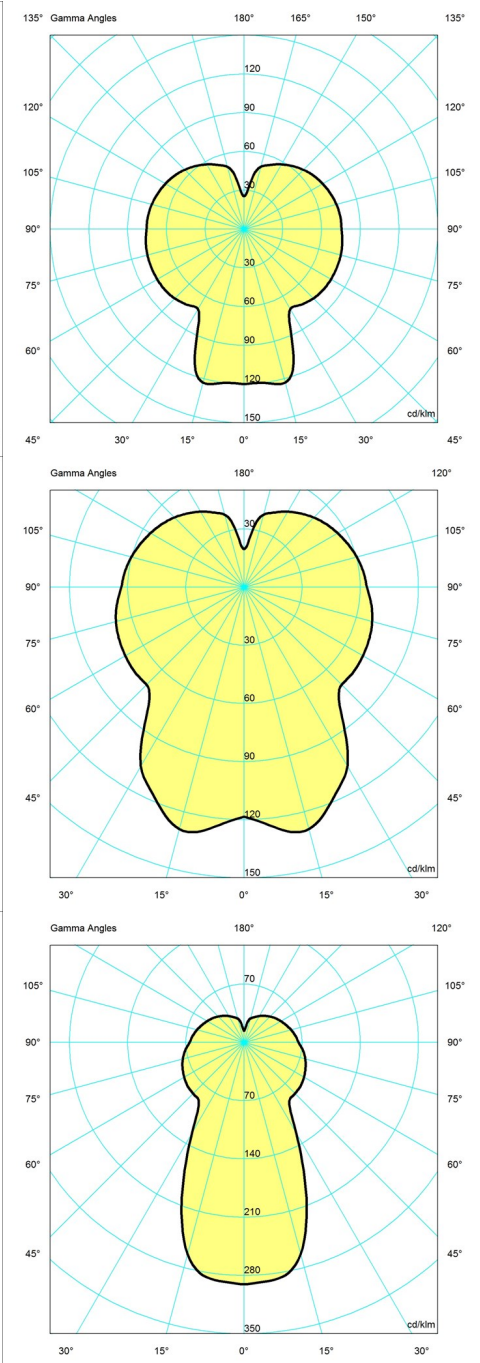
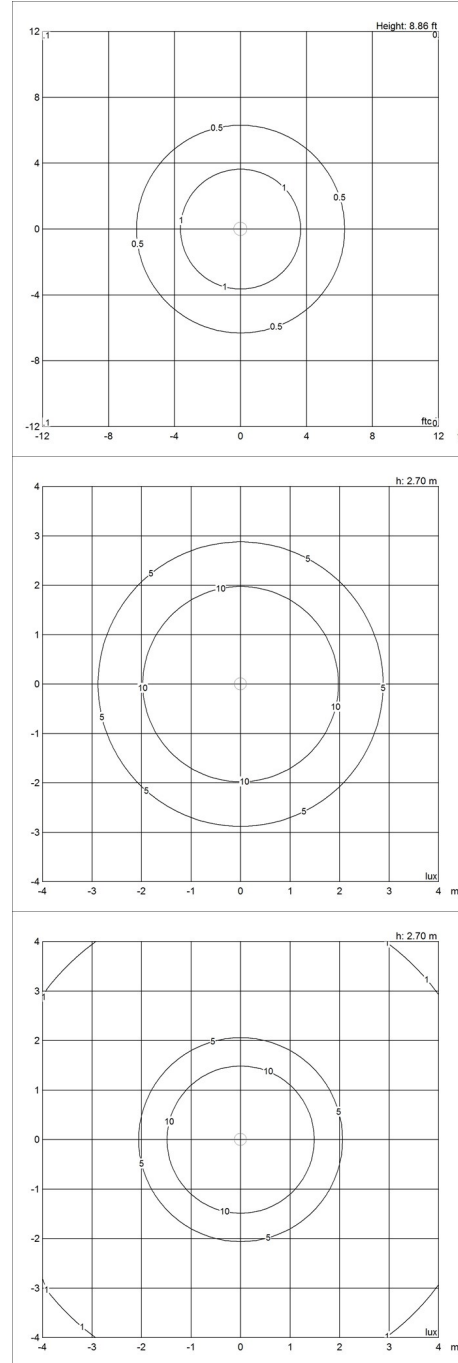
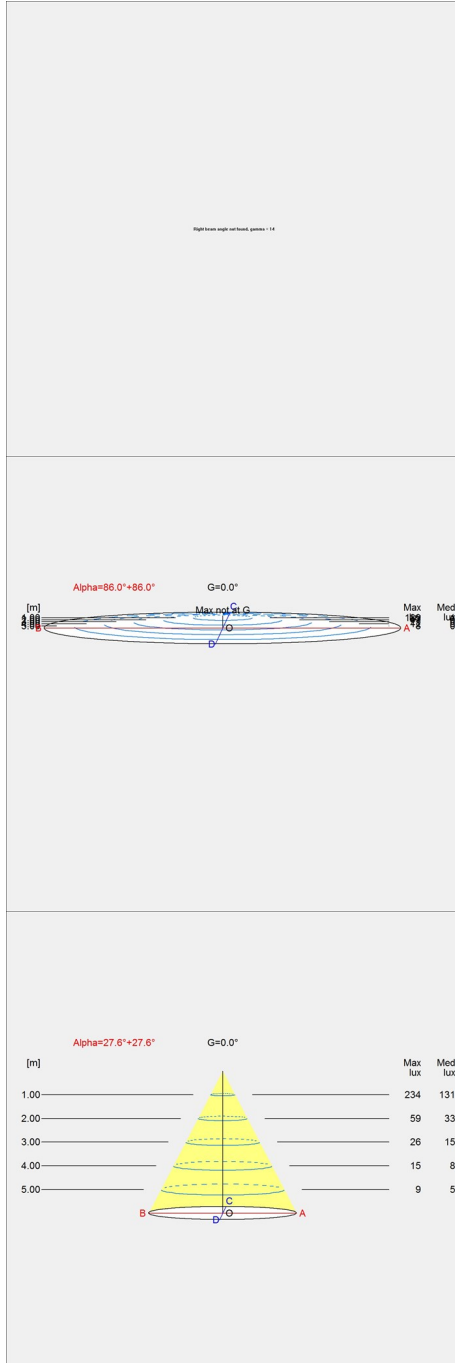


# Light distribution diagrams

## Cartesian

## Isolux

## Polar



## Spare parts & accessories

Product	Variant number
Canopy White 2-part tophat ©	5749329034
VL45 Radio Ø250 Pendant glass opal	5741099304
VL45 Radio Ø370 Pendant glass opal	5741099317
VL45 RADIO 250 E27 SUSPENSION	5741099320
VL45 RADIO 370 E27 SUSPENSION	5741099333
VL45 RADIO 175 SUSPENSION	5741100183
VL45 Radio Pendant Ø370 glass opal LEDV3	5741100866

## Data specifications

Colour	<b>Brass/glossy opal glass</b>	Length	<b>250</b>
Width	<b>250</b>	Height	<b>328</b>
Built-in Height	-	IP class	<b>20</b>
Class	<b>I</b>	Net Weight	<b>2.0</b>
Standby (W)	-	Power Factor (P = 100 % / P = 50 %)	-
Inrush Current	-	Light source	<b>1x100W E27</b>
Kelvin	-	CRI	-
SDCM	-	Lumen	-
Watt	-	Efficacy	-
Light control	-	Min. Dim Level (%)	-
UGR Transversal / Axial	<b>16.4/16.4</b>	L80B50 (hours)	-
Driver life	-		