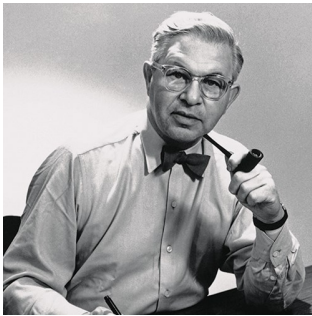


AJ Mini Table

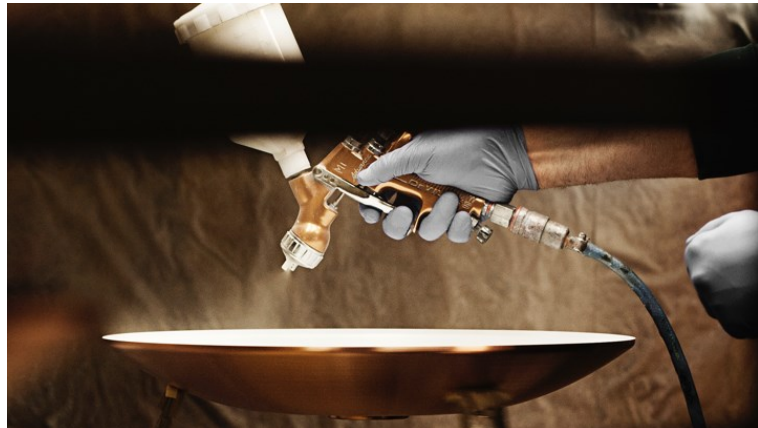
AJ Mini Table - 5744167259

The fixture emits downward directed light. The angle of the shade can be adjusted to optimize light distribution. The shade is painted white on the inside to ensure a soft comfortable light.



Arne Jacobsen

Arne Jacobsen was born and raised in Copenhagen. In 1927, he graduated as an architect from the Royal Danish Academy of Fine Arts in Copenhagen. After graduating, he obtained his first job at the office of the City Architect of Copenhagen launching his own office only two years later.



Product info

Information

The white version is supplied with a white cable. The other versions are supplied with a black cable.

Mounting

Cable type: Plastic cord with plug. Cable length: 2.4m. Light control: Switch on lamp stand.

Finish

Stainless Steel, polished. White, Black, Aubergine, Dark Green, Dark Grey, Light Grey, Midnight Blue, Pale Petroleum, Rusty Red, Yellow Ochre, wet painted.

Materials

Shade: Spun steel or stainless steel. Base: Die cast zinc or stainless steel. Stem: Steel or stainless steel.

Sizes and weights

Width x Height x Length (mm) | 113 x 433 x 183 Max 1.4 kg

Class

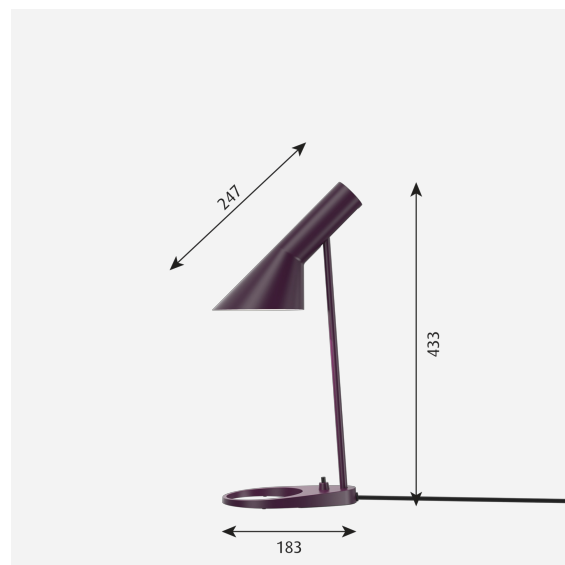
Ingress protection IP20. Electric shock protection II.

Light source

1x20W E14

Information

The white version is supplied with a white cable. The other versions are supplied with a black cable.



Product family



AJ Table



AJ Floor



AJ Wall



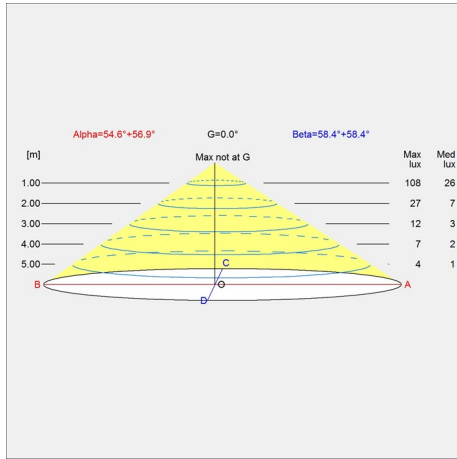
AJ 50 Wall



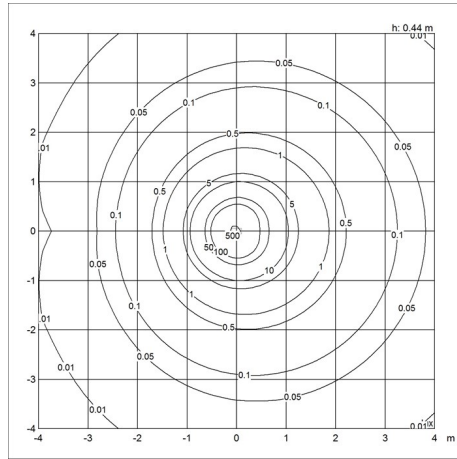
AJ Royal

Light distribution diagrams

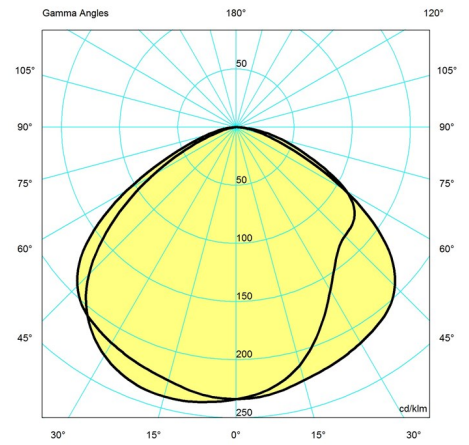
Cartesian



Isolux



Polar



Data specifications

Colour	Aubergine	Length	183
Width	113	Height	433
Built-in Height	-	IP class	20
Class	II	Net Weight	1.2
Standby (W)	-	Power Factor (P = 100 % / P = 50 %)	-
Inrush Current	-	Light source	1x20W E14
Kelvin	-	CRI	-
SDCM	-	Lumen	-
Watt	-	Efficacy	-
Light control	-	Min. Dim Level (%)	-
UGR Transversal / Axial	23.3/21.6	L80B50 (hours)	-
Driver life	-		