

Keglen Floor

Keglen Floor - 5744166797

The floor lamp's distinctive conical shade has a built-in curved diffuser. This ensures an attractive and glare-free downwardly directed light. The stem morphs into the diffuser shade, folding inward and creating a beautiful organic geometry. A gentle light is also emitted upward through a discreet uniform opening in the top of the shade to create a perfect ambiance.



Jakob Lange - BIG Ideas

BIG Ideas, BIG's technology-driven specialist product division, is managed by architect Jakob Lange and produces the practice's lamps and other types of digital projects that underpin BIG's designs, buildings and ideas.



Product info

Information

An integrated memory function ensures that the lamp will return to its latest adjusted lumen output when power has been removed and restored.

Mounting

Cord type: Plastic. Cord length: 2.3 m. Switch: On the base. Stepless dimming. Adapter: External with plug.

Finish

Black or white, matt, wet-painted.

Materials

Shade: Spun aluminum. Diffusor: Injection-molded PC. Base: Die cast aluminum. Stem: Machined aluminum.

Sizes and weights

Width x Height x Length (mm) | 400 x 1380 x 400 Max 7.0 kg

Class

Ingress protection IP20. Class II.

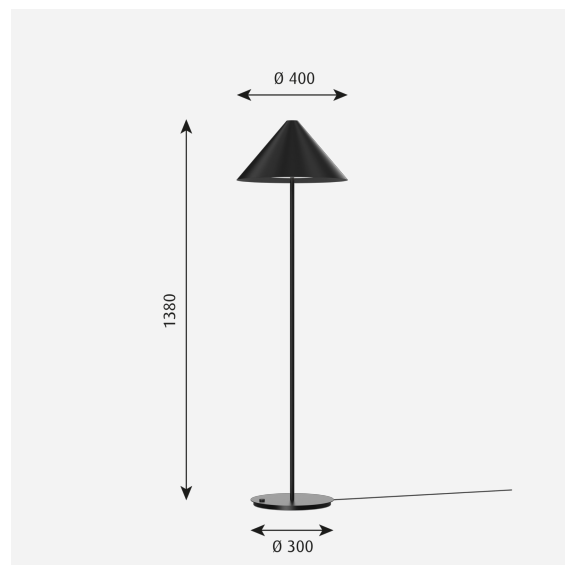
Light source

LED 2700-2000K D2W 8.5W

Lumen: 481

Information

An integrated memory function ensures that the lamp will return to its latest adjusted lumen output when power has been removed and restored.



Product family



Keglen



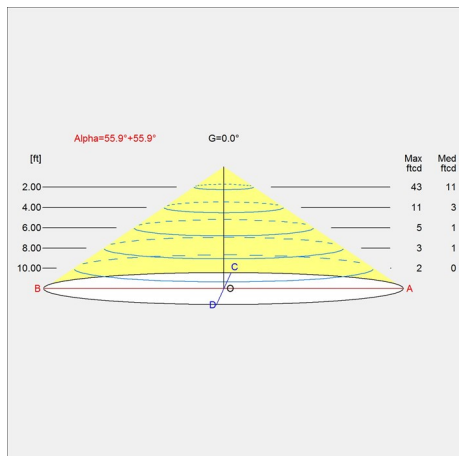
Keglen Table



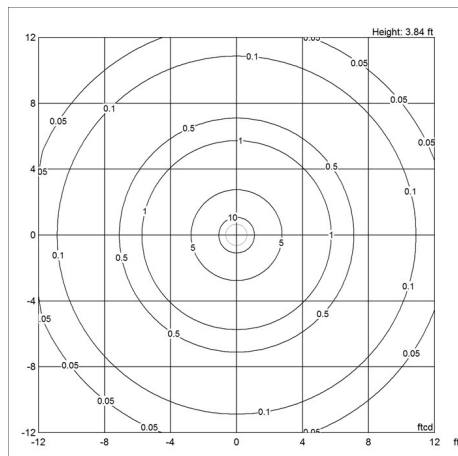
Keglen Wall

Light distribution diagrams

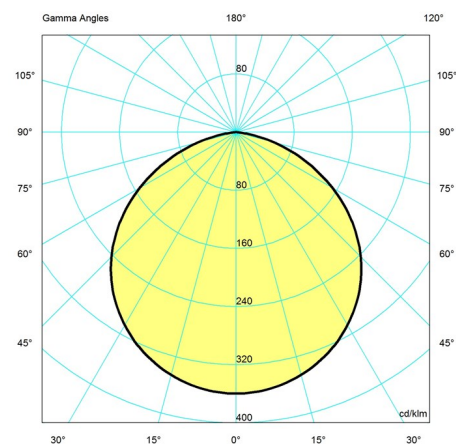
Cartesian



Isolux



Polar



Spare parts & accessories

Product	Variant number
Adaptor 12V black	5744164867
Adaptor 12V white	5744164870
Keglen Floor diffuser	5744167961

Data specifications

Colour	Black	Length	400
Width	400	Height	1380
Built-in Height	-	IP class	-
Class	II	Net Weight	7.0
Standby (W)	-	Power Factor (P = 100 % / P = 50 %)	-
Inrush Current	-	Light source	LED 2700-2000K D2W 8.5W
Kelvin	2700	CRI	90

Keglen Floor

SDCM	3
Watt	8.5
Light control	-
UGR Transversal / Axial	16.4/16.4
Driver life	-

Lumen	481
Efficacy	57
Min. Dim Level (%)	-
L80B50 (hours)	-