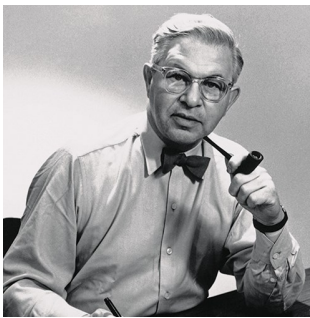


# AJ Floor

AJ Floor - 5744169707

The fixture emits downward directed light. The angle of the shade can be adjusted to optimize light distribution. The shade is painted white on the inside to ensure a soft comfortable light.



## Arne Jacobsen

Arne Jacobsen was born and raised in Copenhagen. In 1927, he graduated as an architect from the Royal Danish Academy of Fine Arts in Copenhagen. After graduating, he obtained his first job at the office of the City Architect of Copenhagen launching his own office only two years later.



## Carl Hansen & Son Showroom



## Sparekassen Vendsyssel

## Product info

### Information

The white version is supplied with a white cable. The other versions are supplied with a black cable.

### Mounting

Cable type: Plastic cord with plug. Cable length: 2.4m. Light control: On/Off switch on cord.

### Finish

Stainless Steel, polished. White, Black, Aubergine, Dark Green, Dark Grey, Light Grey, Midnight Blue, Pale Petroleum, Rusty Red, Yellow Ochre, wet painted.

### Materials

Shade: Spun steel or stainless steel. Base: Die cast zinc or stainless steel. Stem: Steel or stainless steel.

### Class

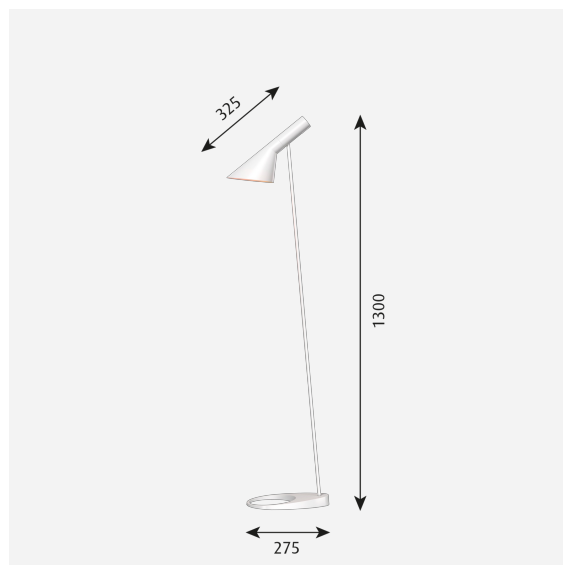
Ingress protection IP20. Electric shock protection II.

### Light source

1x20W E27-cbr />Max. diameter: 55 mm

### Information

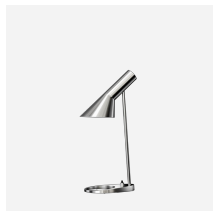
The white version is supplied with a white cable. The other versions are supplied with a black cable.



## Product family



AJ 50 Wall



AJ Mini Table



AJ Royal



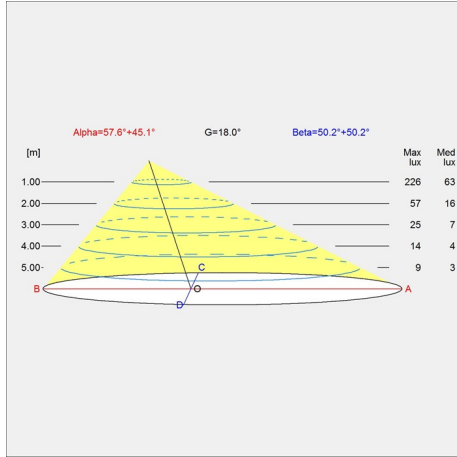
AJ Table



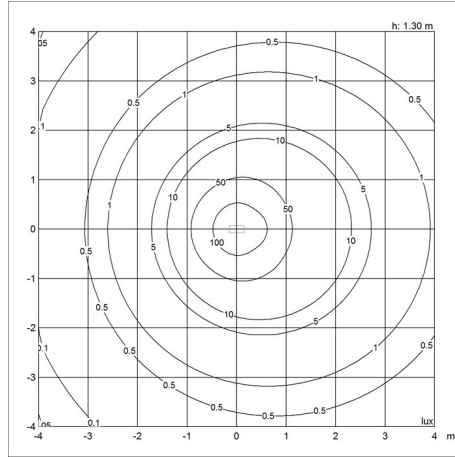
AJ Wall

# Light distribution diagrams

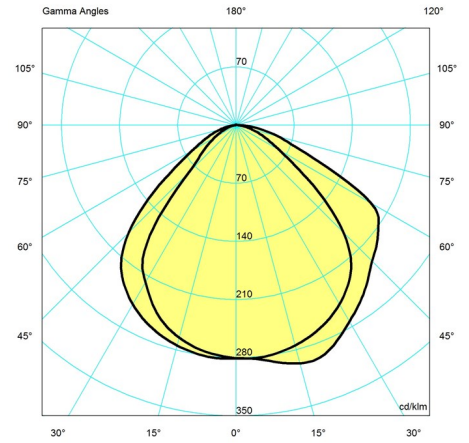
Cartesian



Isolux



Polar



## Spare parts & accessories

Product	Variant number
Foot switch On/Off black	5717000000
Foot switch On/Off white	5717000013

## Data specifications

Colour	White	Length	-
Width	275	Height	1300
Built-in Height	-	IP class	20
Class	II	Net Weight	3.3
Standby (W)	-	Power Factor (P = 100 % / P = 50 %)	-
Inrush Current	-	Light source	1x20W E27
Kelvin	-	CRI	-
SDCM	-	Lumen	-

**AJ Floor**

Watt	-
Light control	-
UGR Transversal / Axial	<b>21.9/16.4</b>
Driver life	-

Efficacy	-
Min. Dim Level (%)	-
L80B50 (hours)	-