

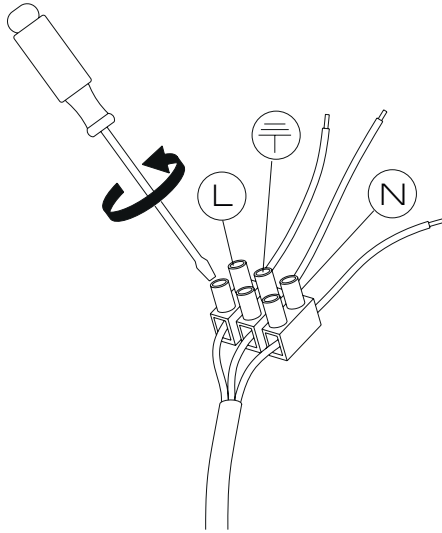


E I C H H O L T Z

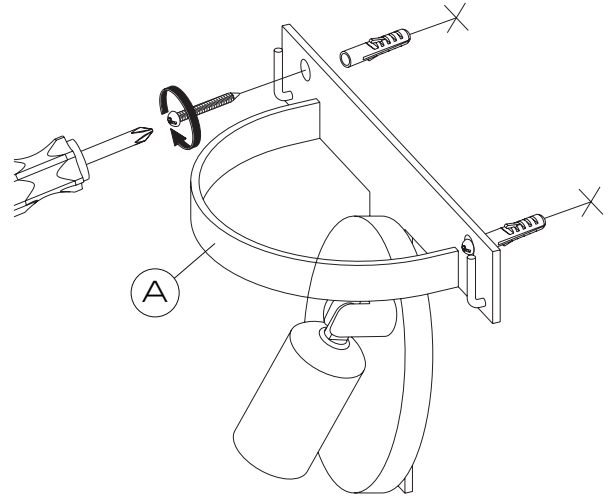
109534 WALL LAMP GRECO

ASSEMBLY INSTRUCTION

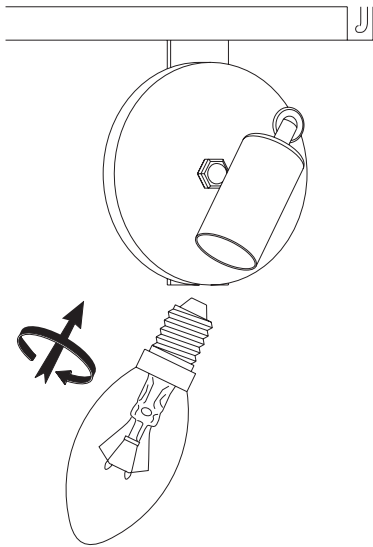
STEP 1



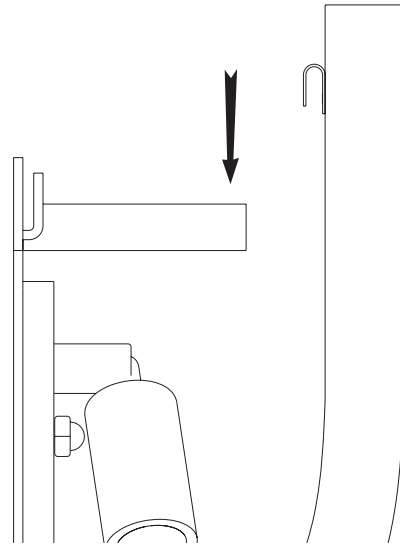
STEP 2



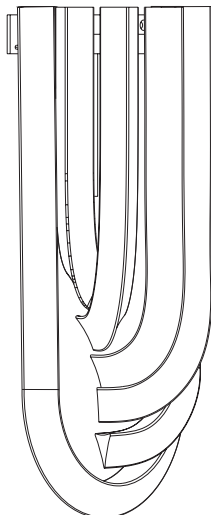
STEP 3



STEP 4



STEP 5



TURN OFF THE ELECTRICITY SUPPLY AT THE MAIN CIRCUIT PANEL BEFORE INSTALLING. DO NOT CONNECT THE ELECTRICITY SUPPLY UNTIL YOUR LUMINAIRE IS FULLY ASSEMBLED AND INSTALLED.

CONNECT THE 3 WIRES ACCORDING TO THEIR COLOURS. BROWN IS THE LIVE WIRE (L), BLUE IS THE NEUTRAL WIRE (N), GREEN/YELLOW IS THE EARTH WIRE.

FIX THE LAMP (A) TO THE WALL BY USING WALL MOUNTING PLUGS AND SCREWS SUITABLE TO YOUR WALL TYPE.

PLACE THE BULB AND FINALLY HANG THE GLASS DECORATIONS ON THE LAMP FRAME.