

# Toldbod 155 Wall

Toldbod 155 Wall - 5743145913

The light is directed 100% downwards, and the shade has a matt white painted inside which emits a soft, diffused, comfortable light. The fixture fulfils full cut-off criteria.



**Hareskov Kirkes  
Menighedshus**



**Skagen**

## Product info

### Environmental Product Specification

This product is compliant with the requirements contained in the European Directives, RoHS Directive 2011/65 and 2015/863. This product is designed so that 100% of the product can be disassembled and reused.

### Mounting

Terminal block: 1x3x2.5mm<sup>2</sup>. Cable entries: 2x bottom + 3x rear entries for Ø 10-14.5mm cable. Looping: Approved, max. 3x1,5mm<sup>2</sup>.

### Finish

Aluminium coloured with textured surface or black with textured surface, powder coated.

### Materials

Fixture head: Chilled casting aluminium. Shield: Laser cut acrylic satine. Wall box: Die cast aluminium. Arm: Chilled casting aluminium.

### Sizes and weights

Width x Height x Length (mm) | 155 x 158 x 267 Max 1.4 kg

### Class

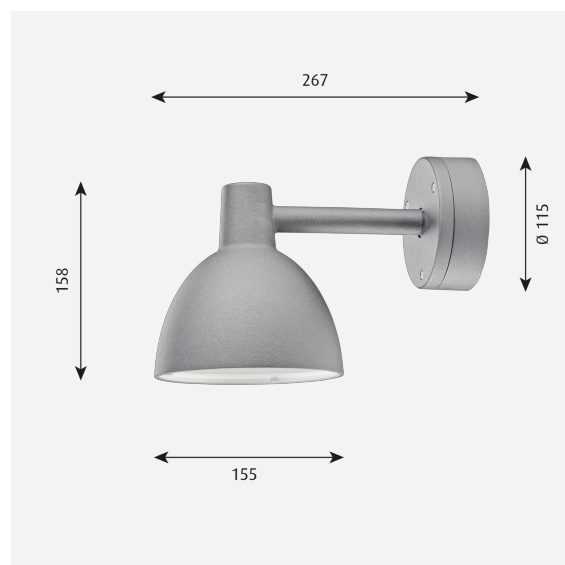
Ingress protection IP44. Electric shock protection I w. ground. IK05.

### Specification notes

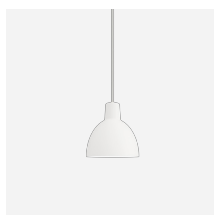
The innovation of light sources is ongoing. Consequently we only inform about the max. wattages. On [www.louispoulsen.com](http://www.louispoulsen.com) we update a list of recommendable light sources.

### Light source

E14



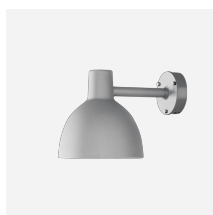
## Product family



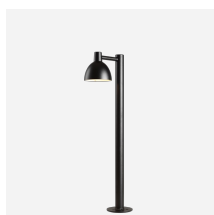
Toldbod Pendant



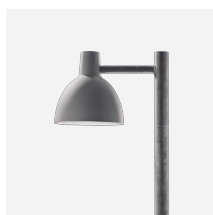
Toldbod 155/220 Glass Pendant



Toldbod 220/290 Wall



Toldbod 155 Bollard



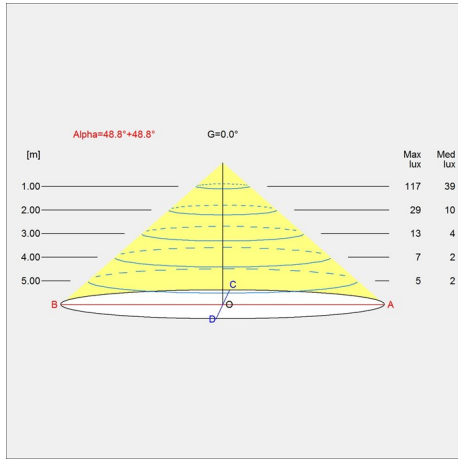
Toldbod 290 Post



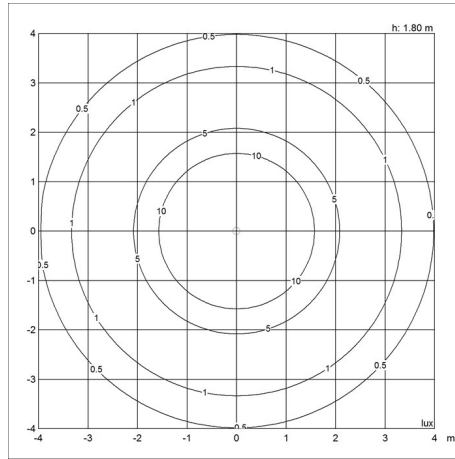
Toldbod 290 LED Upgrade Kit

# Light distribution diagrams

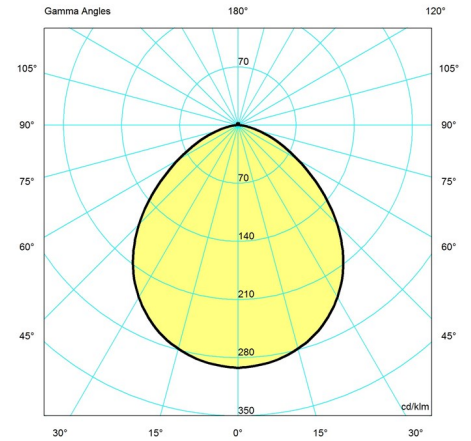
Cartesian



Isolux



Polar



## Spare parts & accessories

Product

Toldbod Wall/Bollard 155 shield

Variant number

5743145528

## Data specifications

Colour	Aluminium colour texture	Length	267
Width	155	Height	158
IP class	44	IK class	05
Class	I	Net Weight	1.4
Wind Load (m2)	-	Standby (W)	-
Power Factor (P = 100 % / P = 50 %)	-	Inrush Current	-
Light source	E14	Kelvin	-
CRI	-	SDCM	-

**Toldbod 155 Wall**

Lumen	-
Efficacy	-
Min. Dim Level (%)	-
BUG Rating	<b>B0 U1 G0</b>
Driver life	-

Watt	-
Light control	-
Surge Protection	-
L80B50 (hours)	-